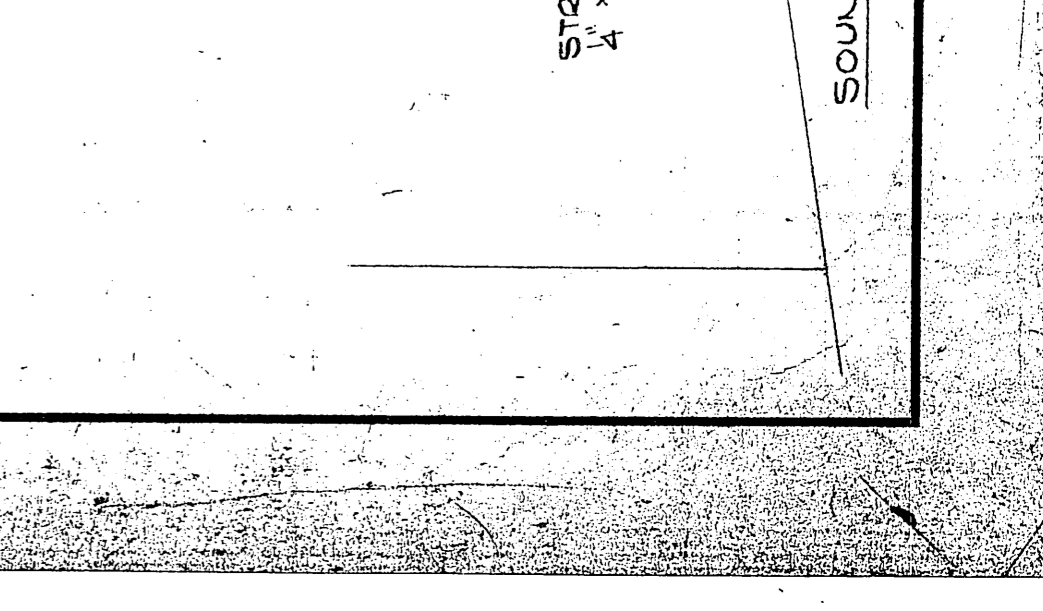
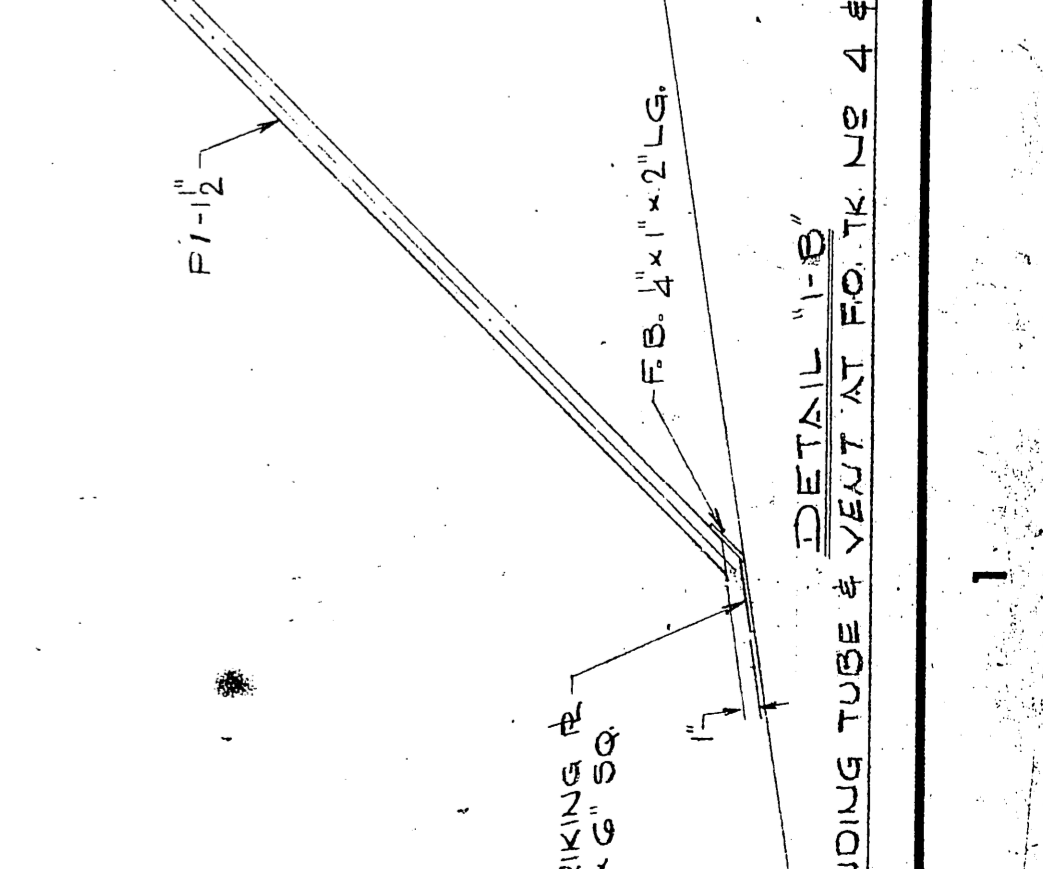
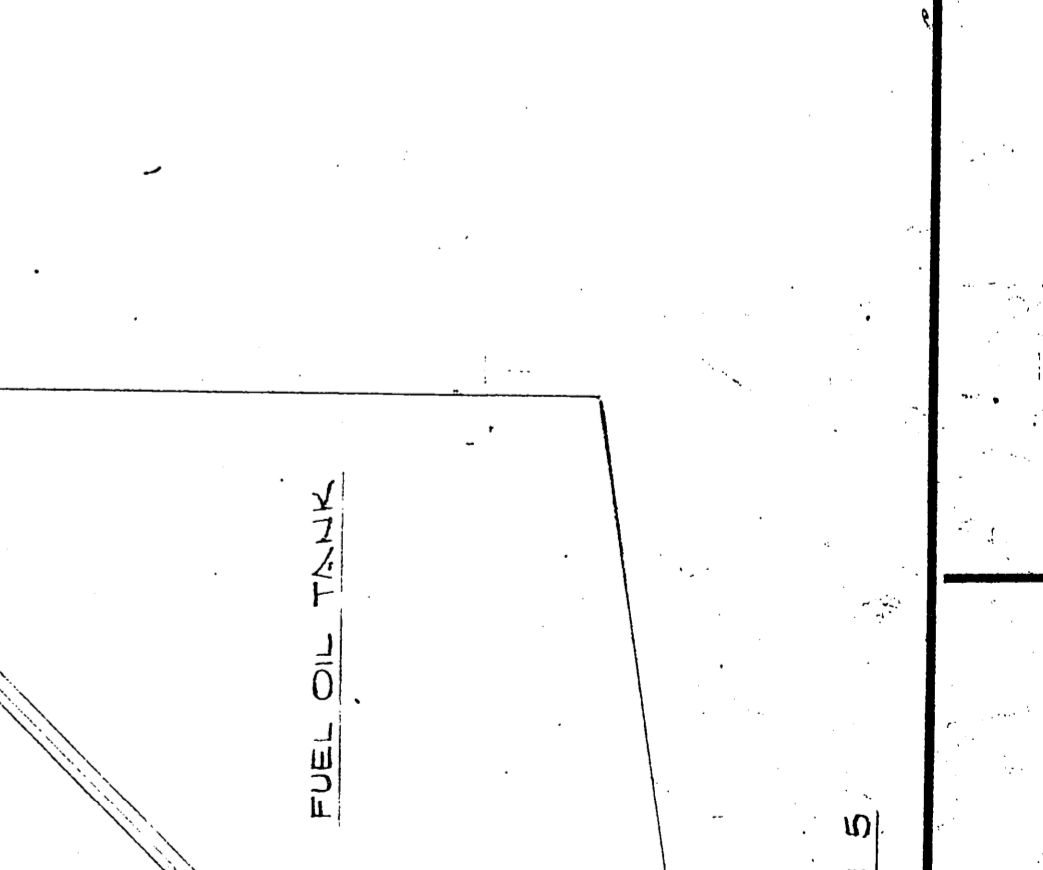
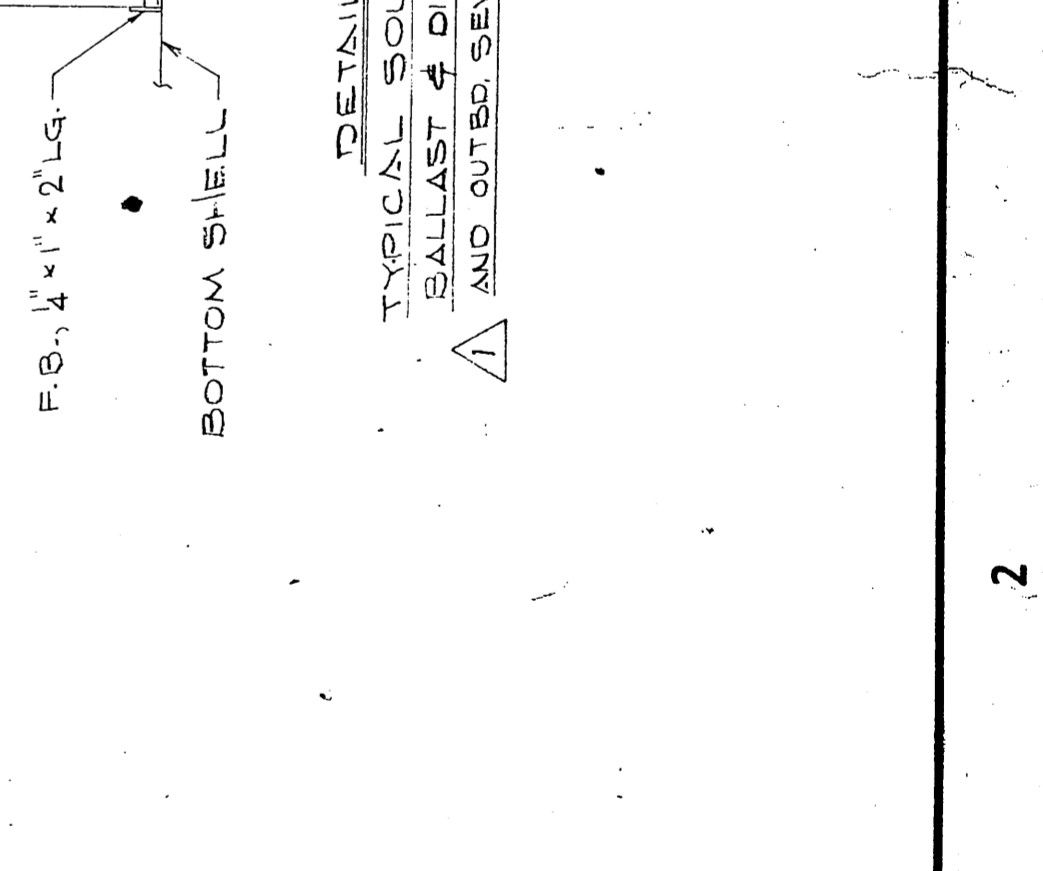
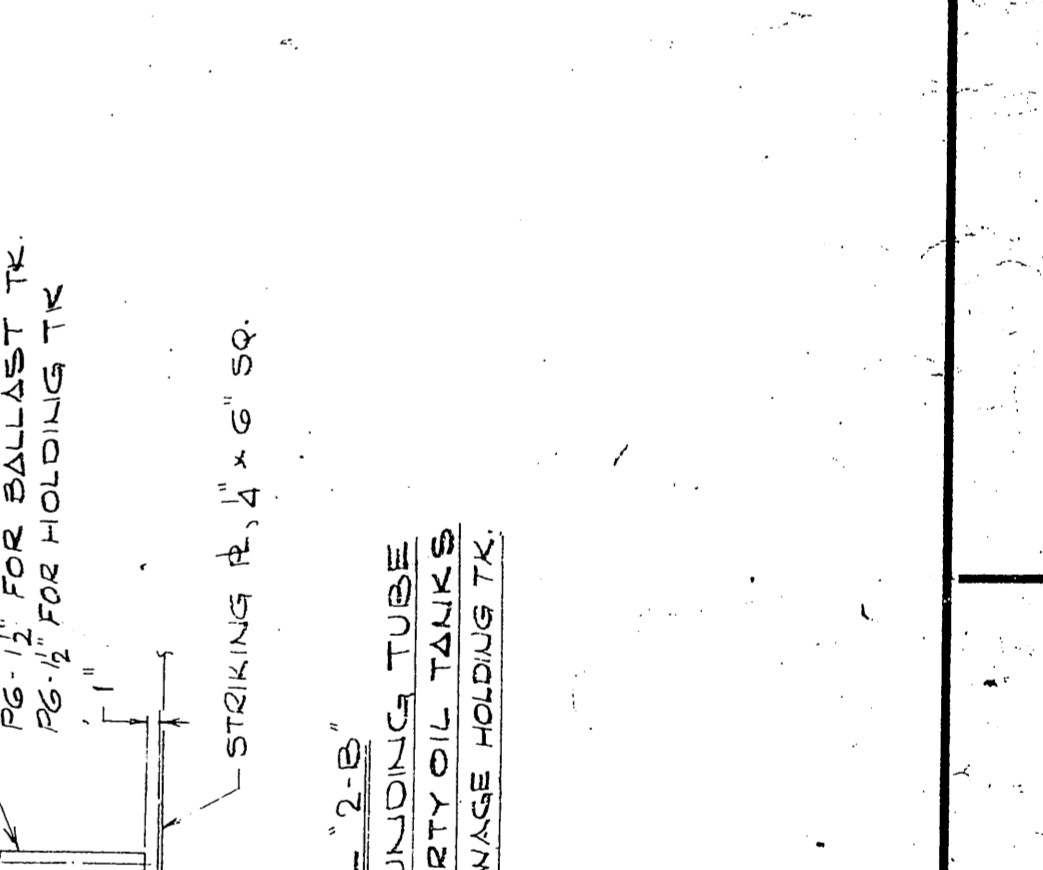
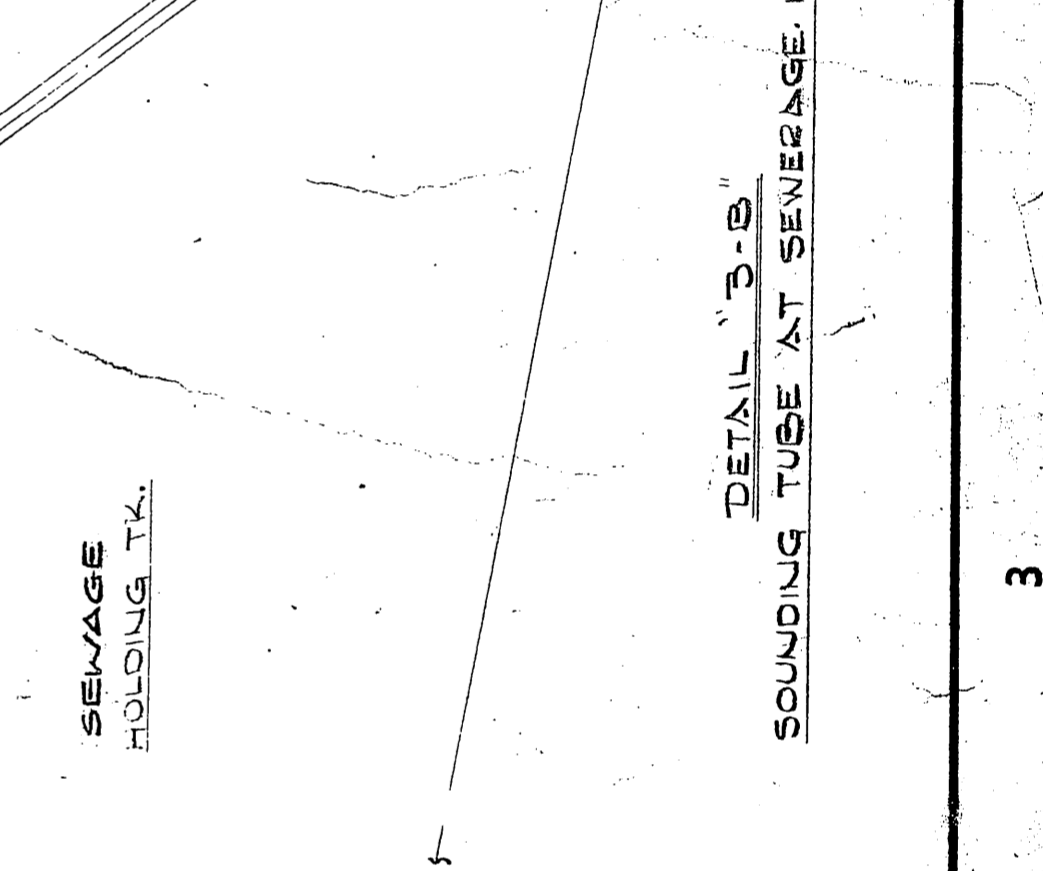
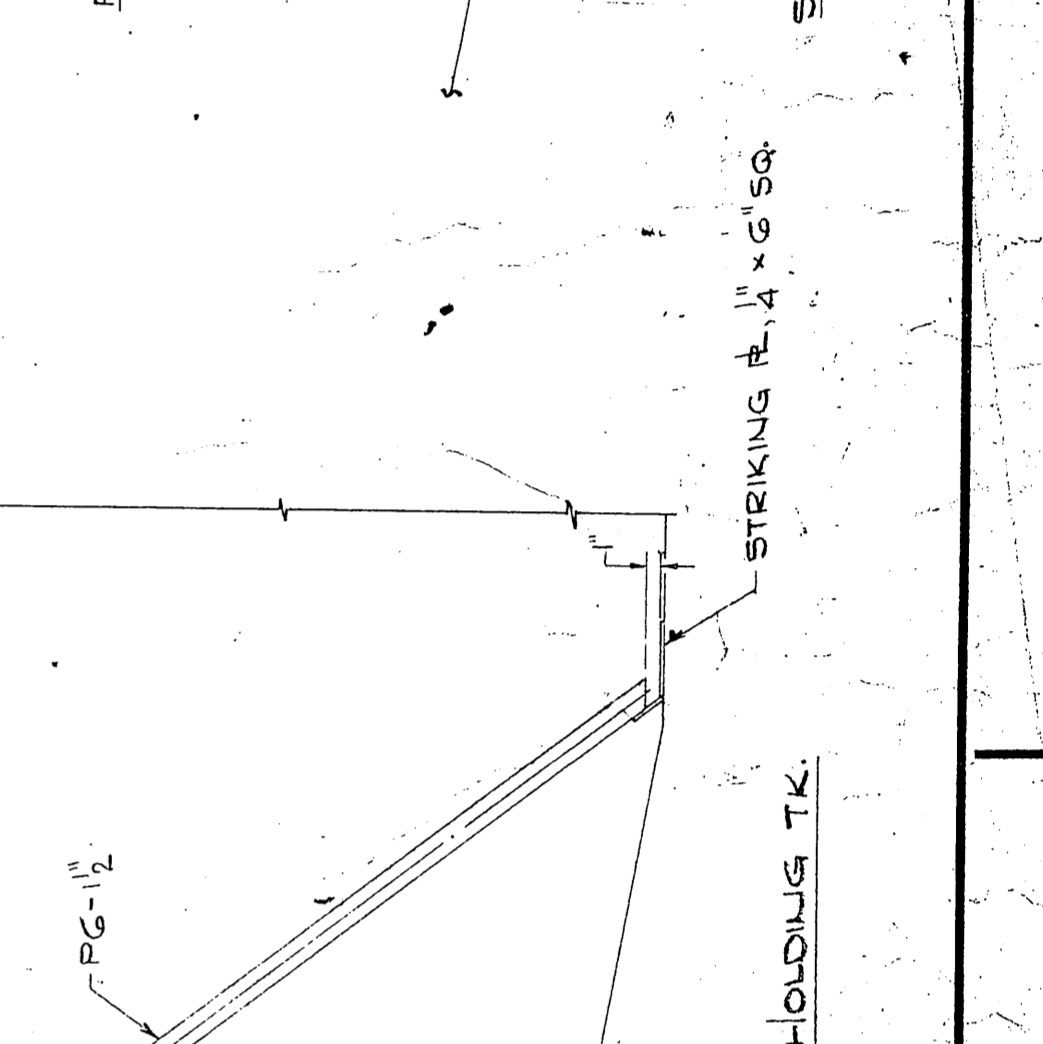
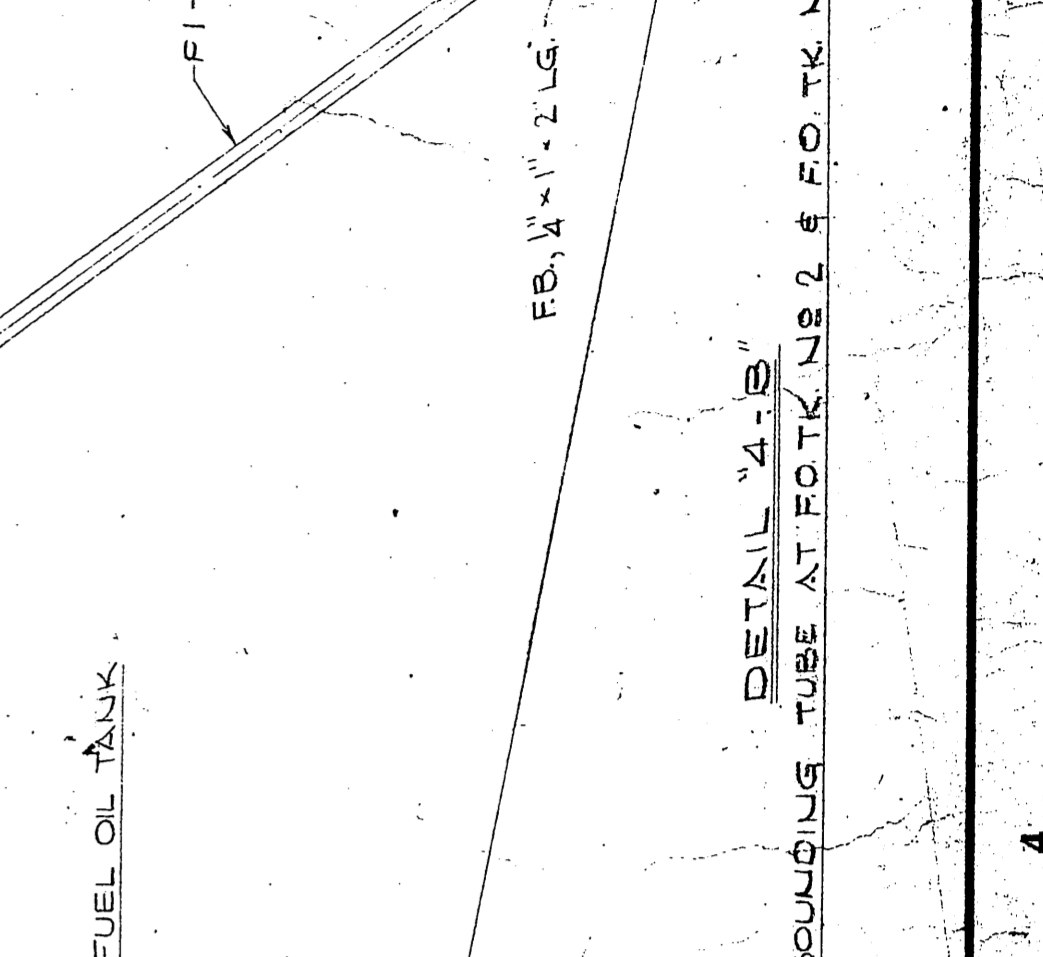
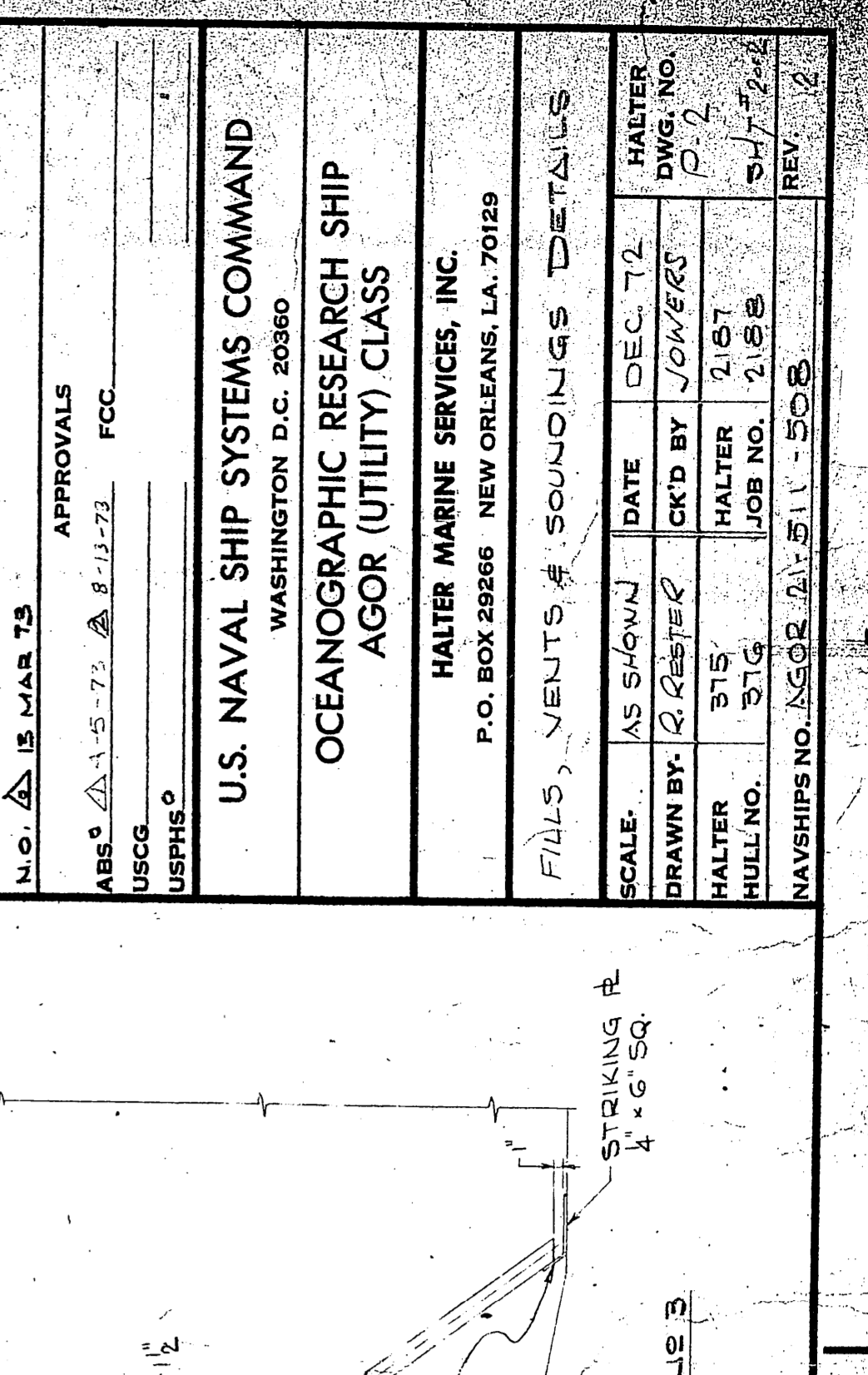
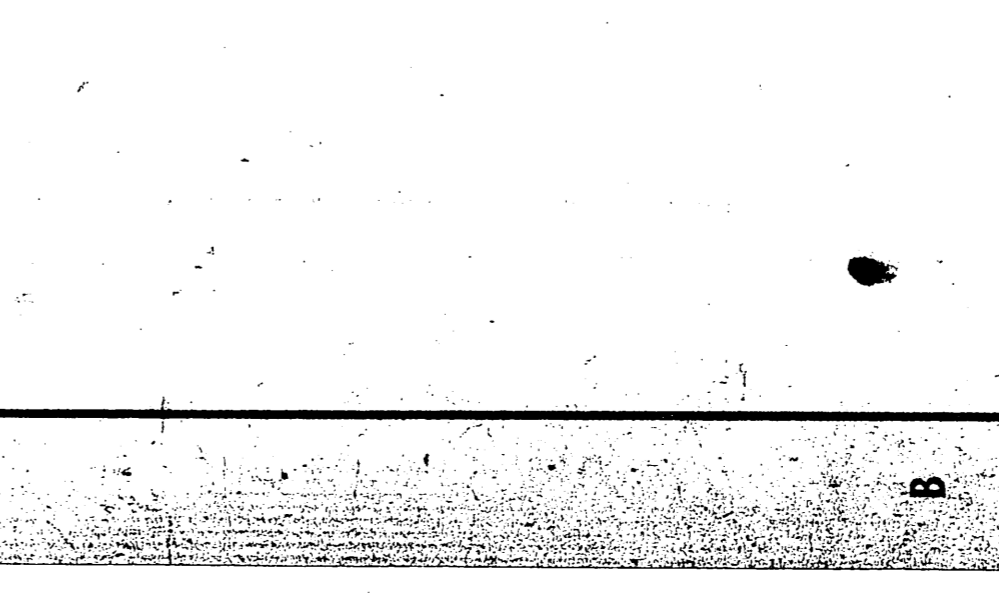
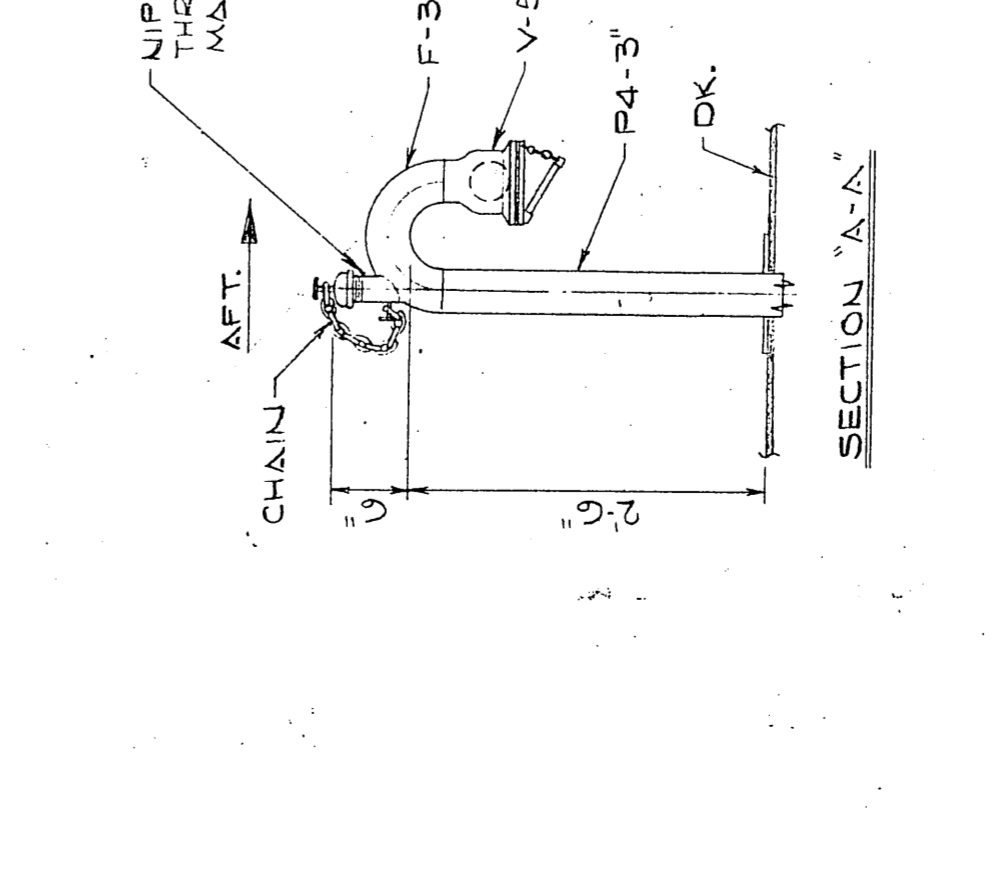
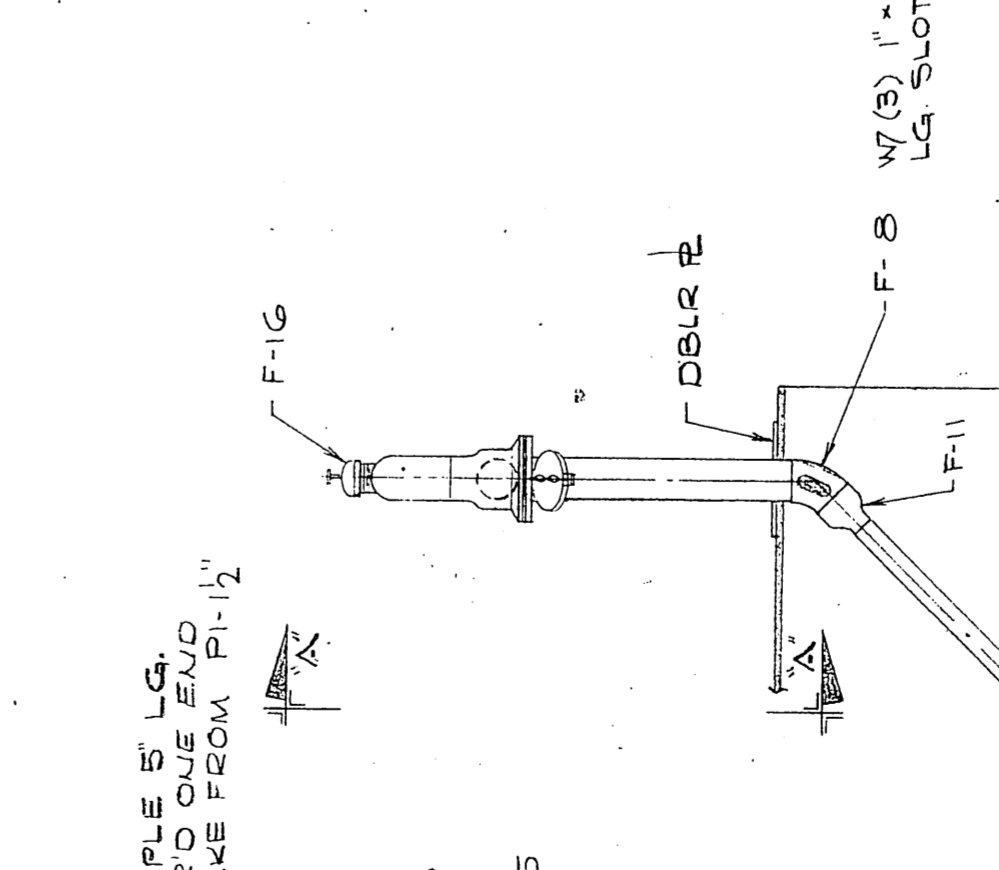
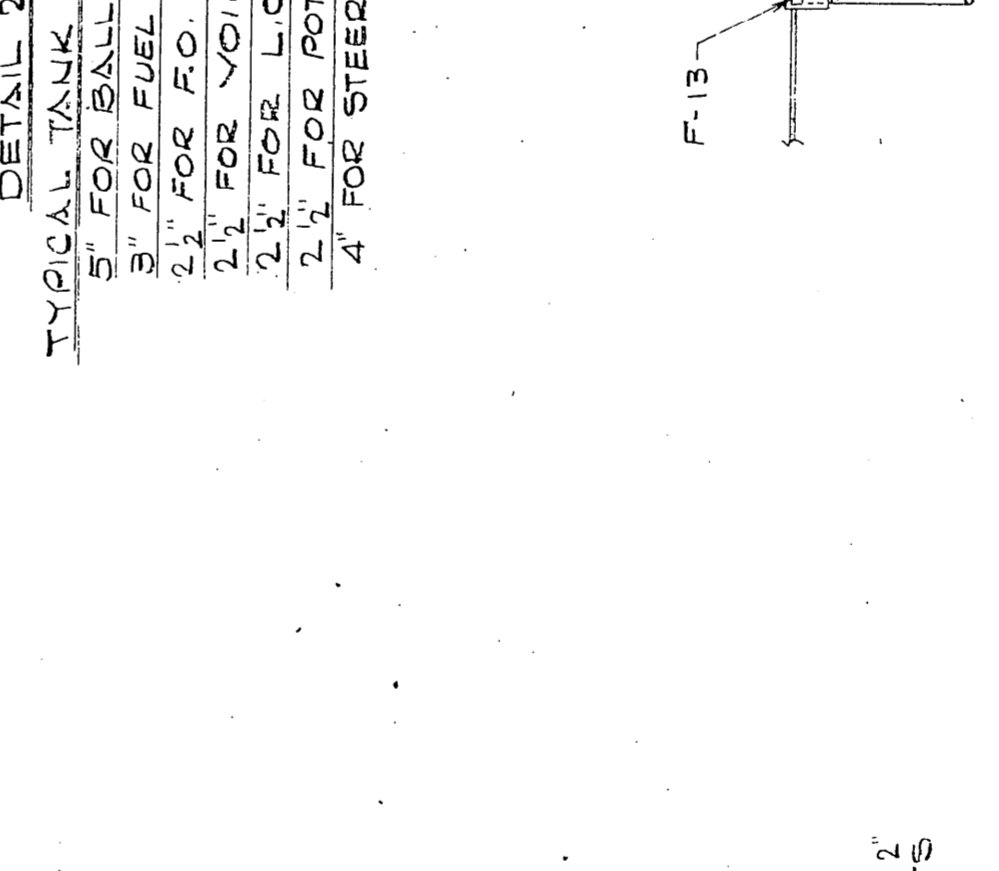
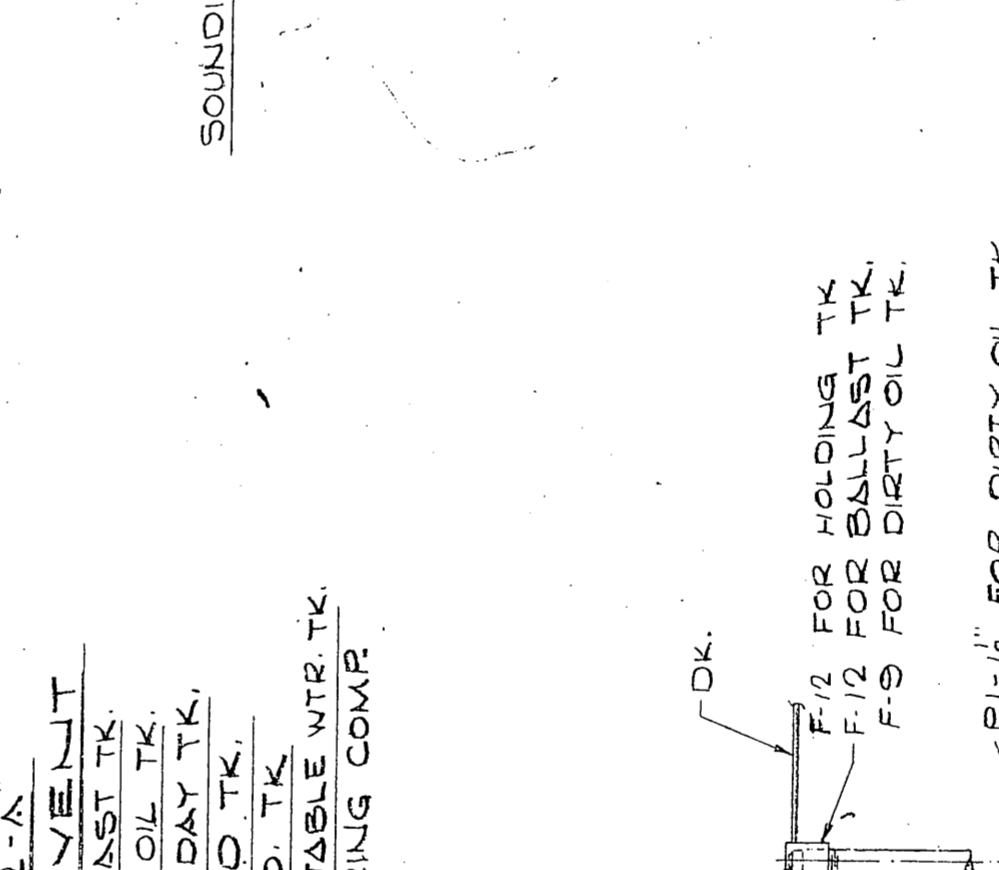
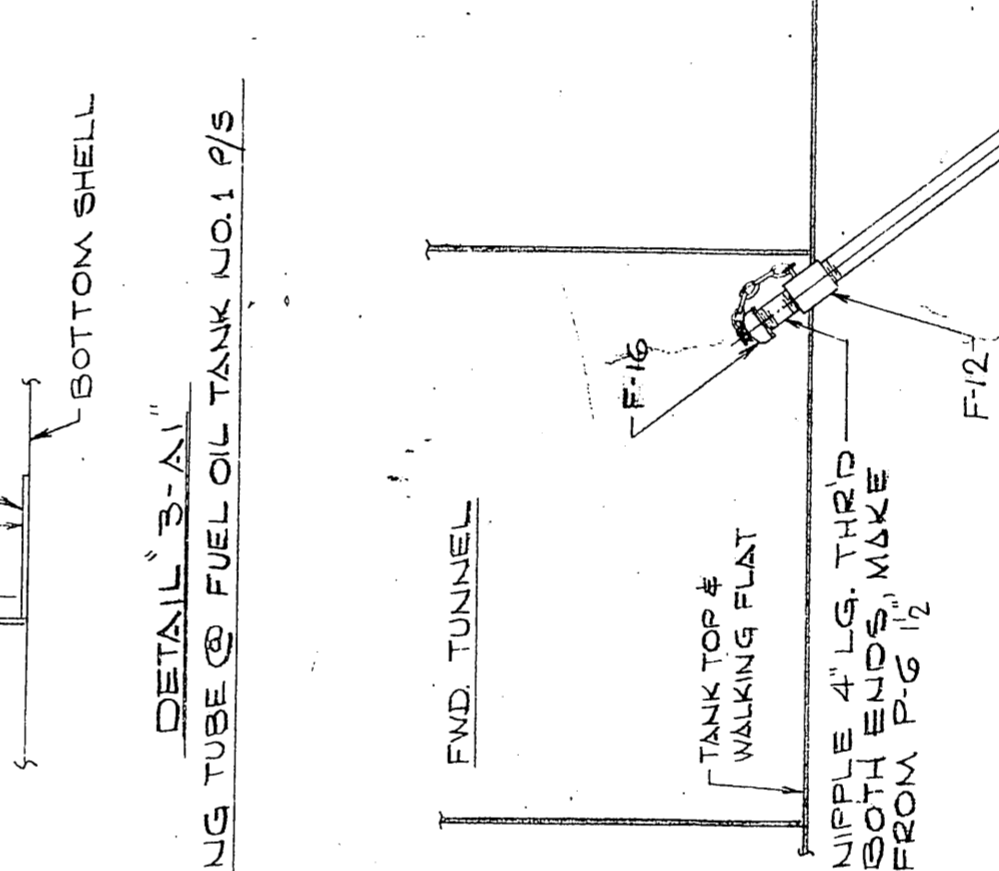
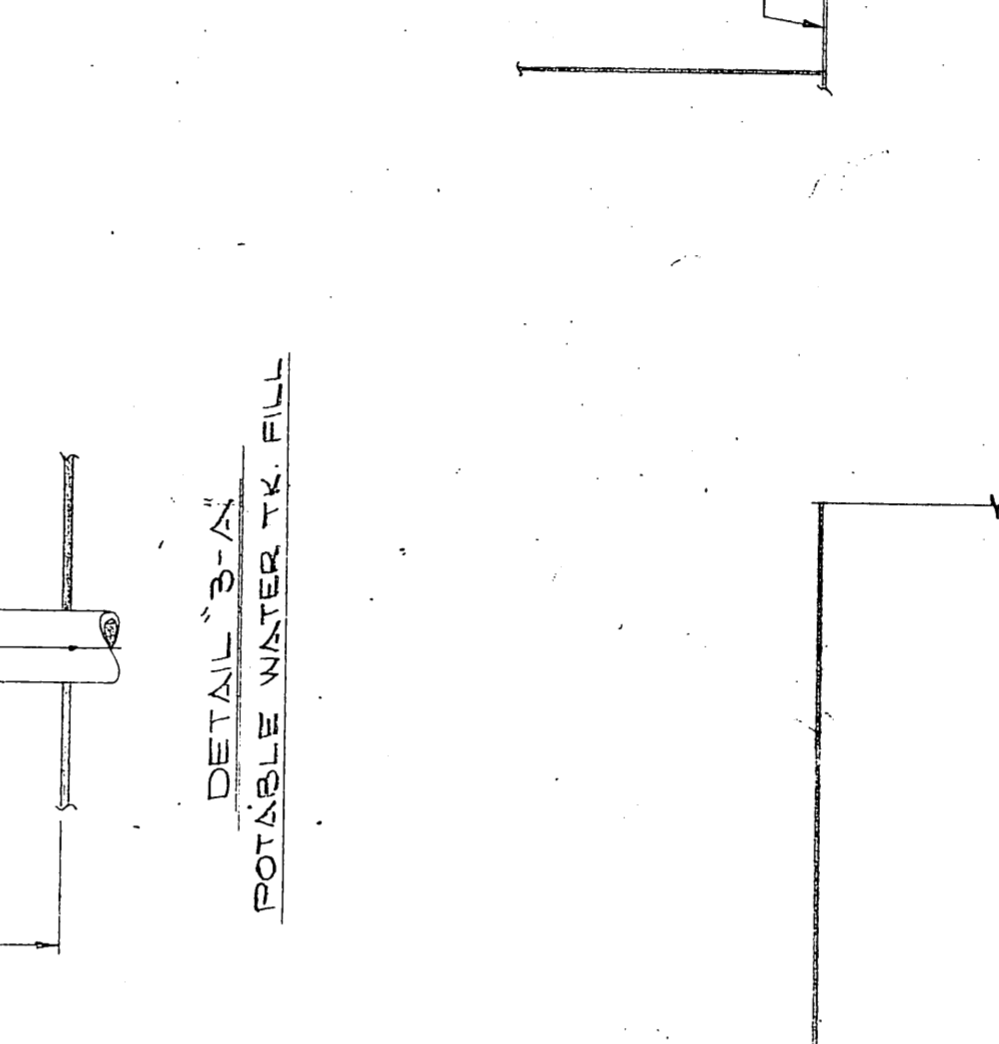
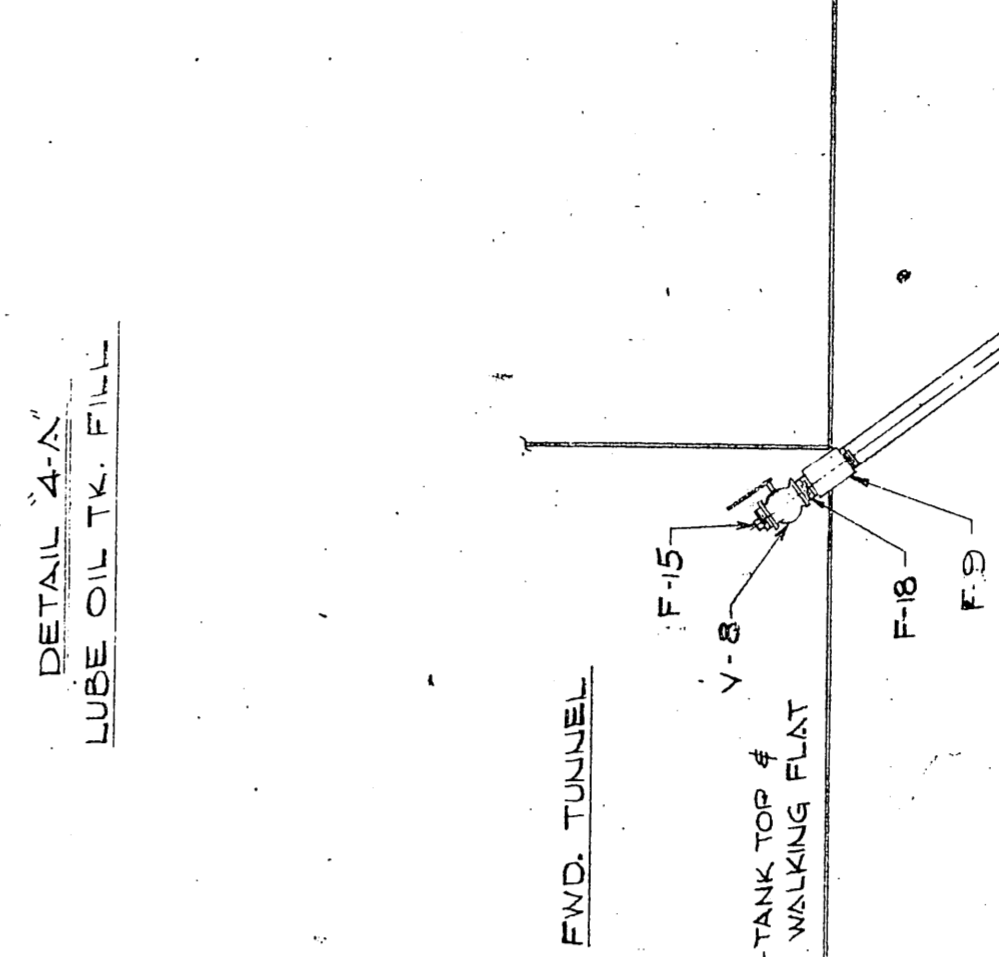
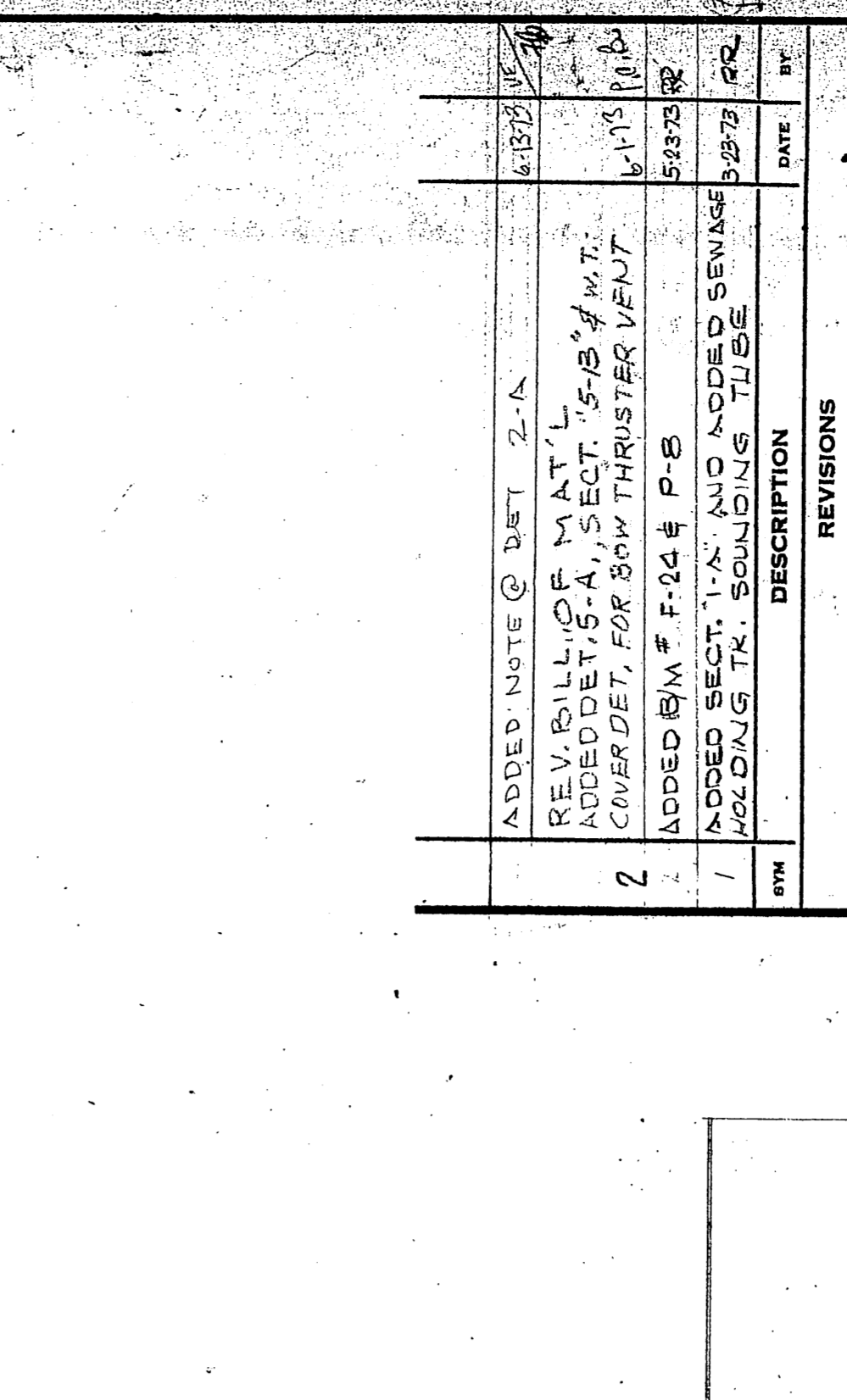
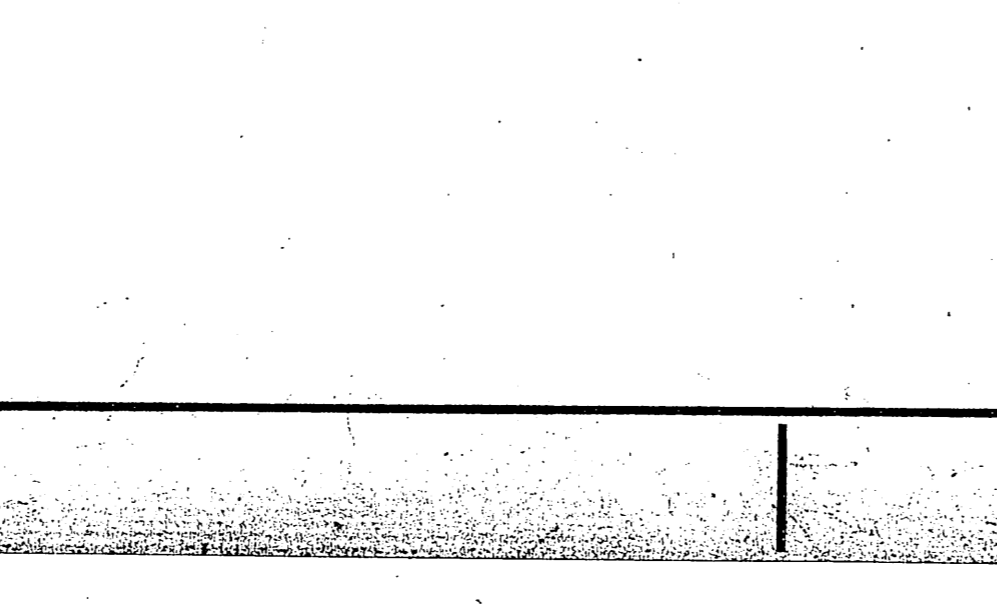
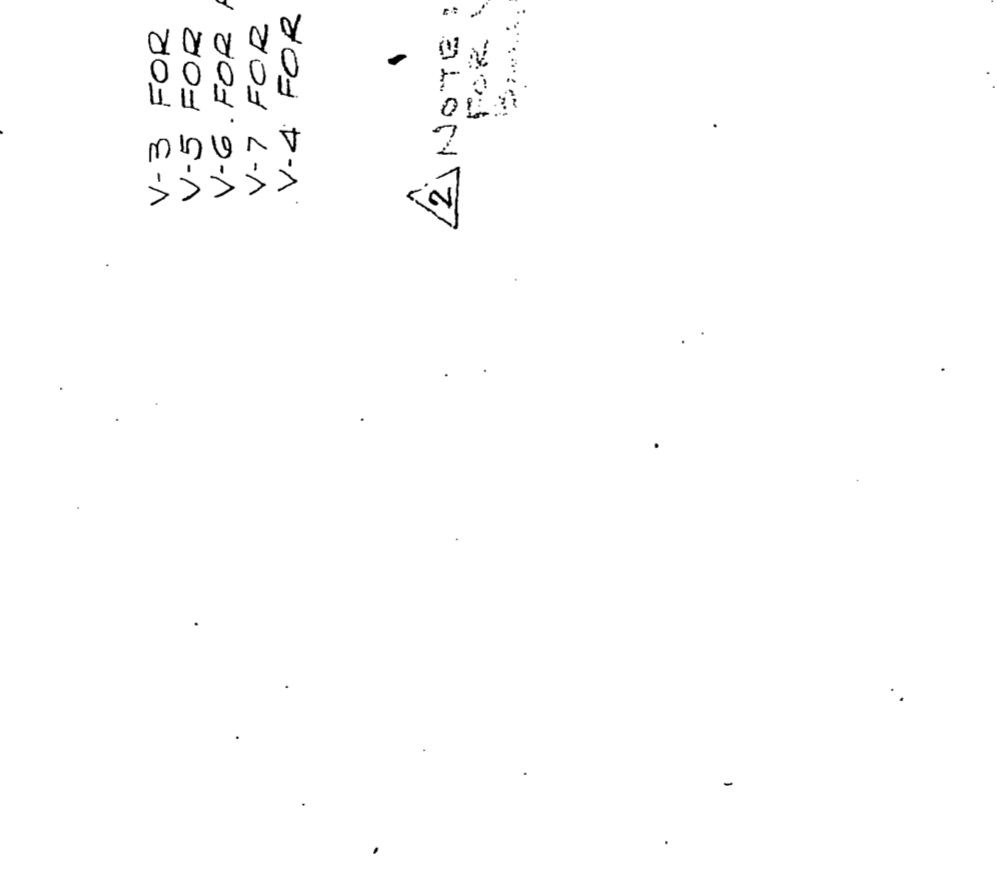
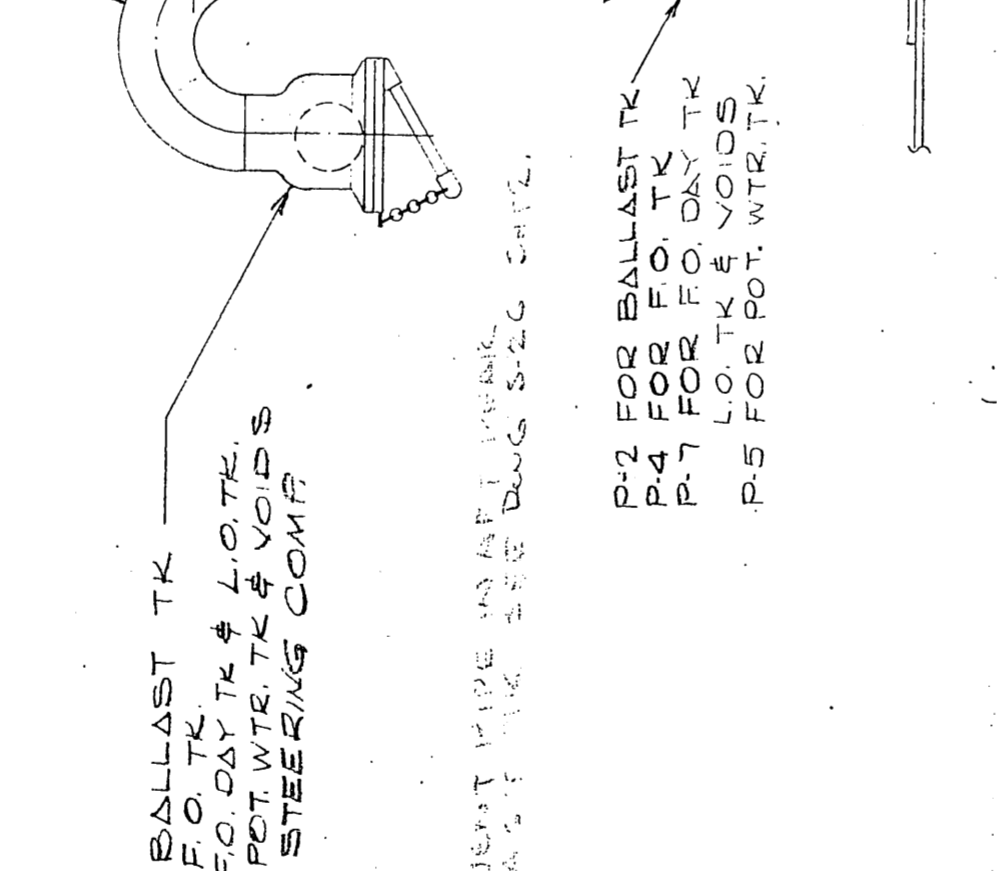
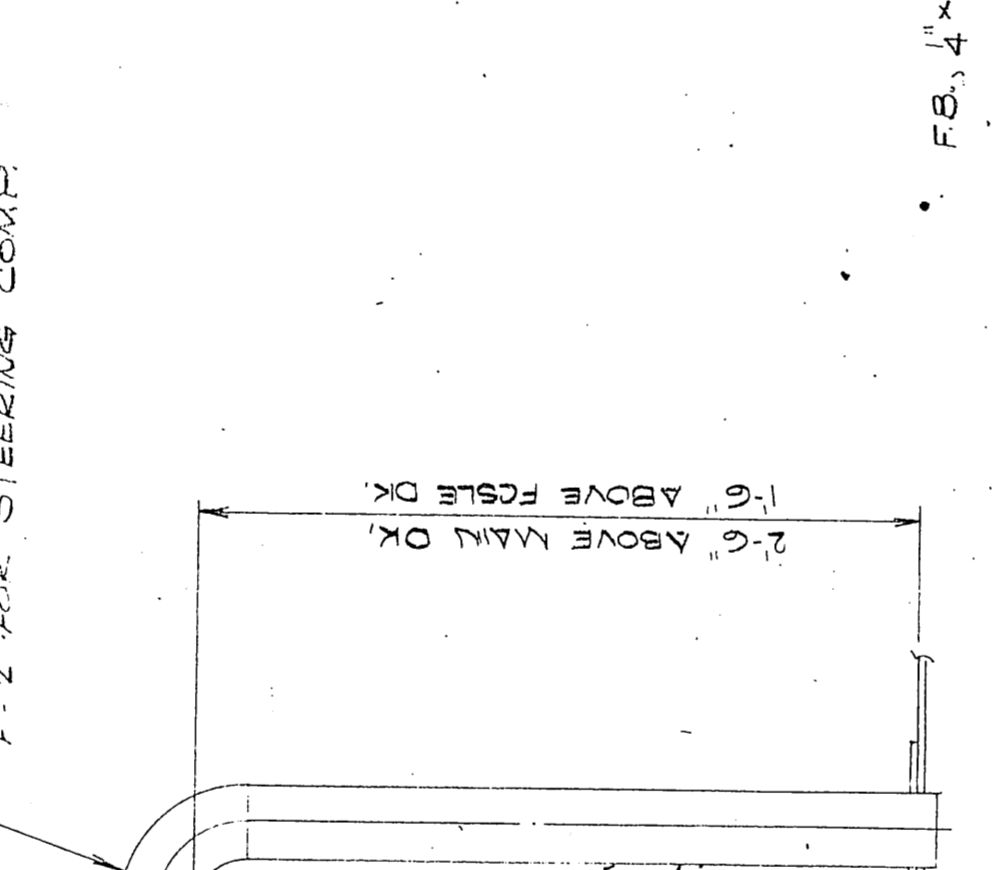
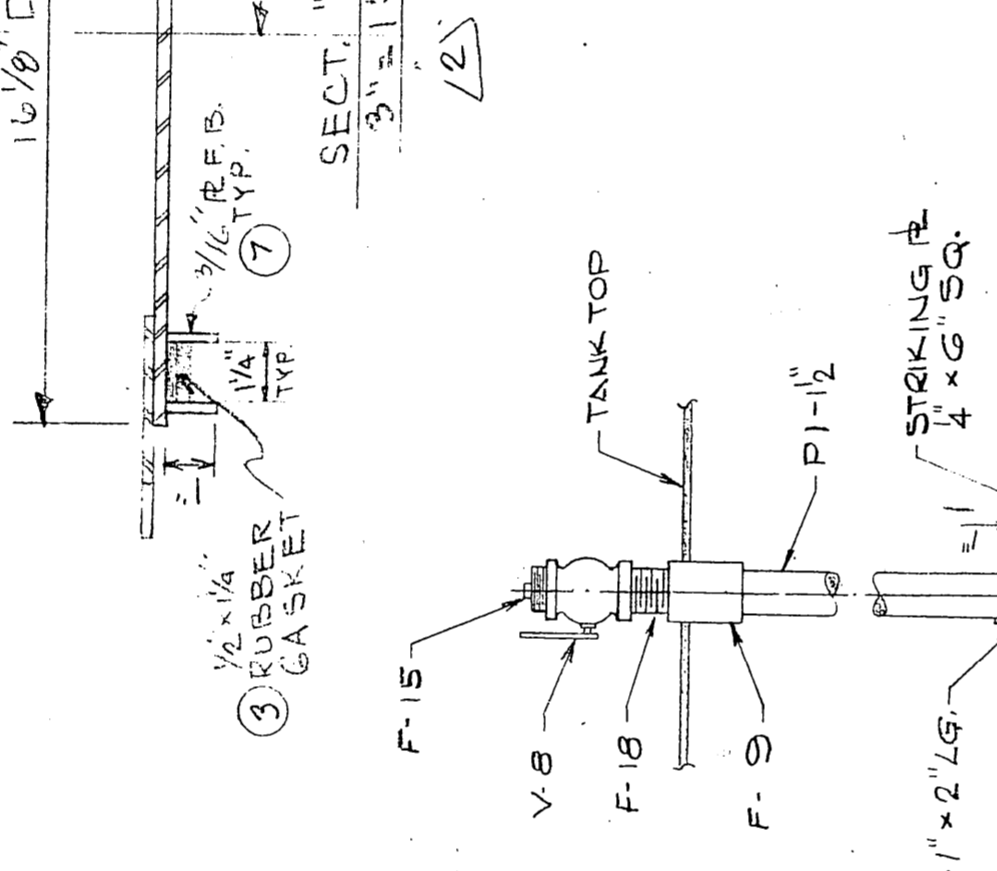
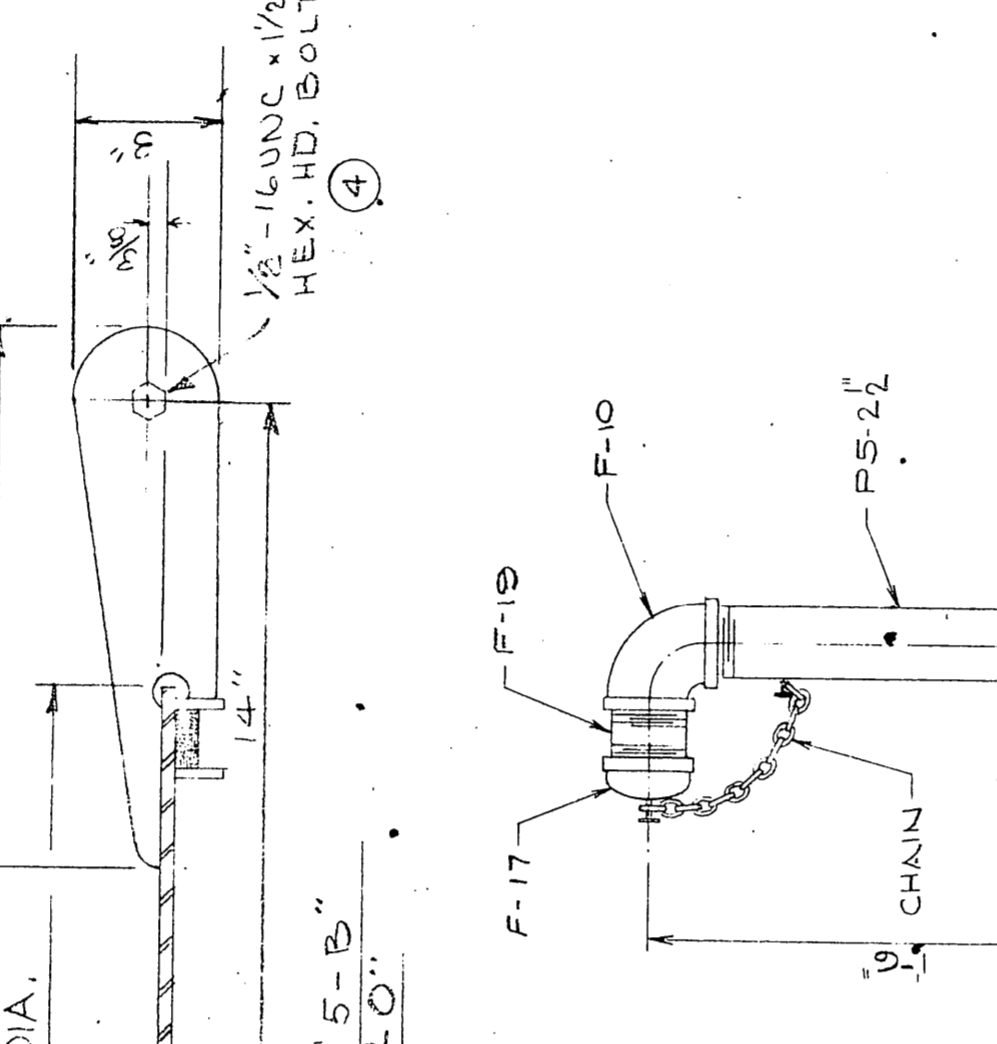
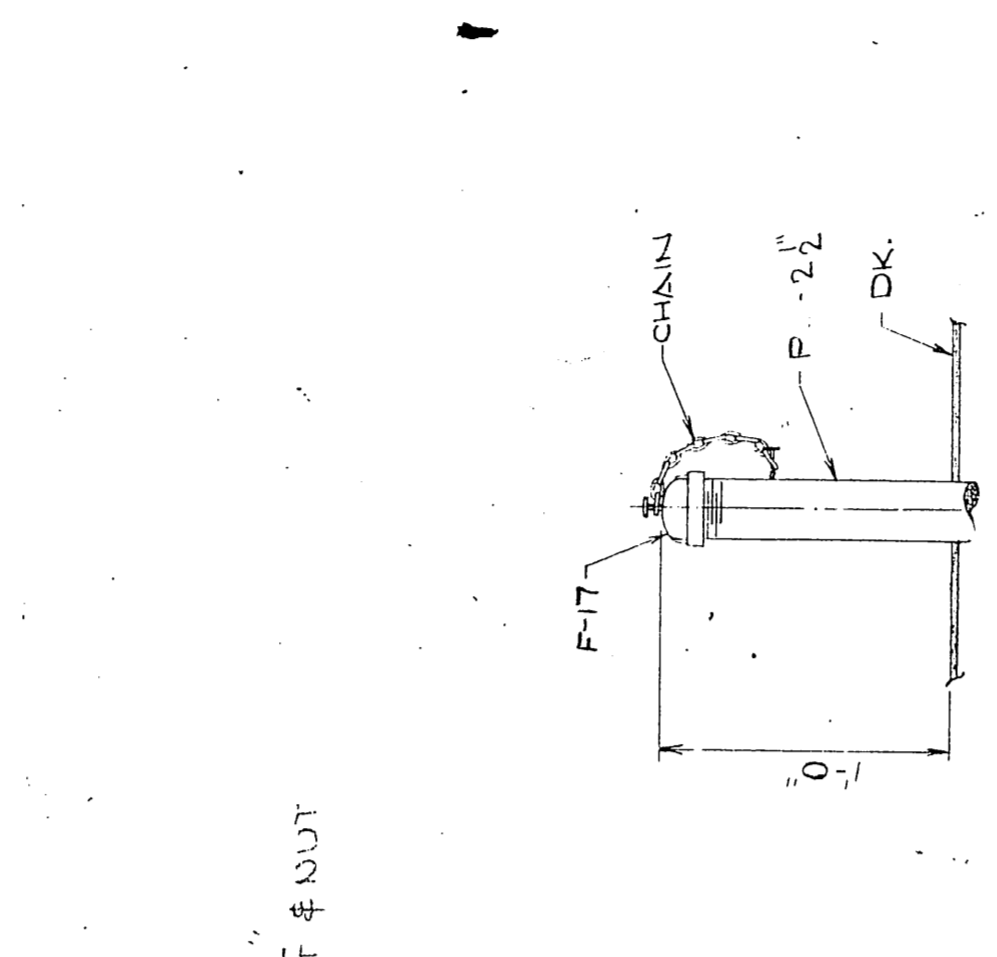
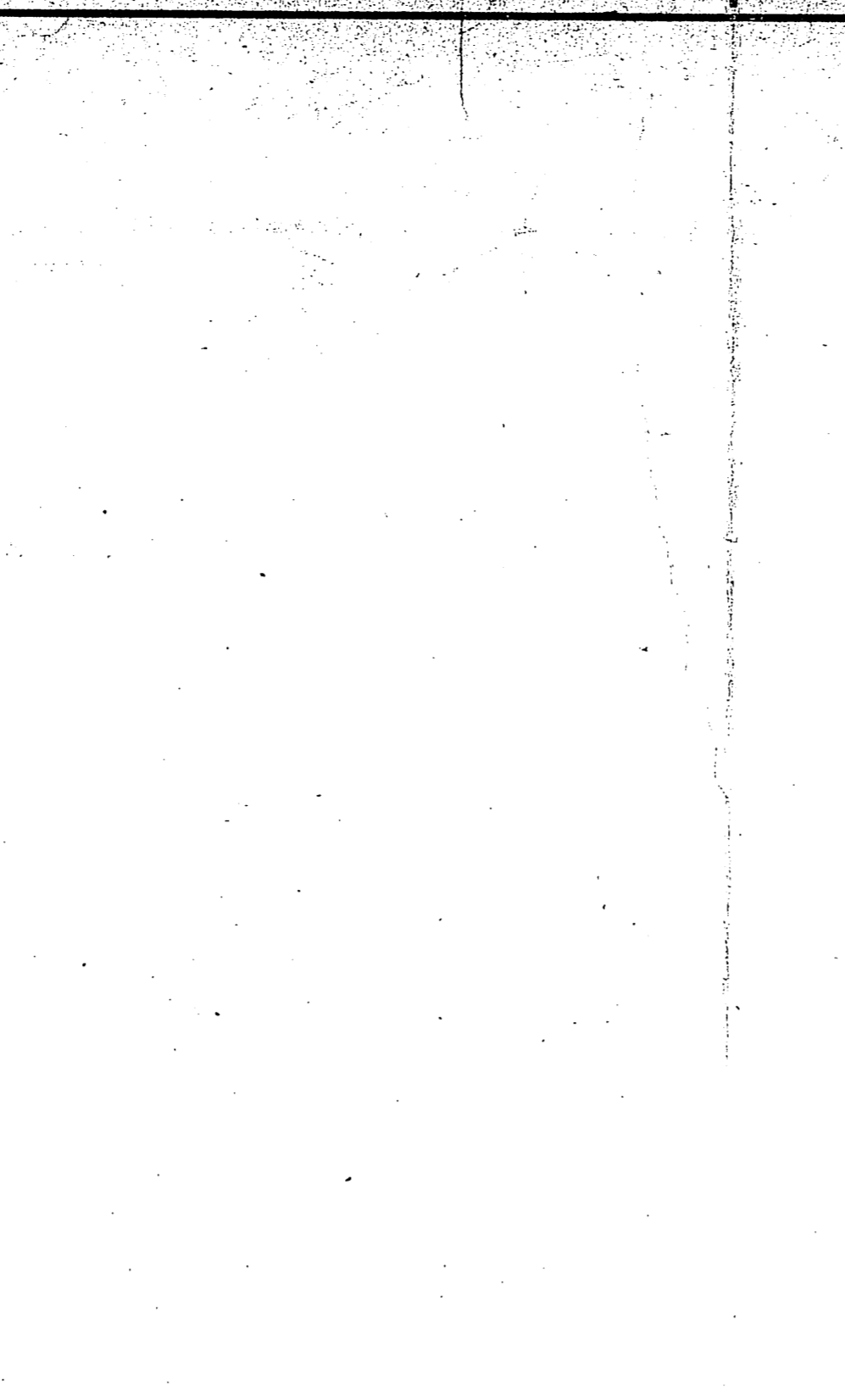
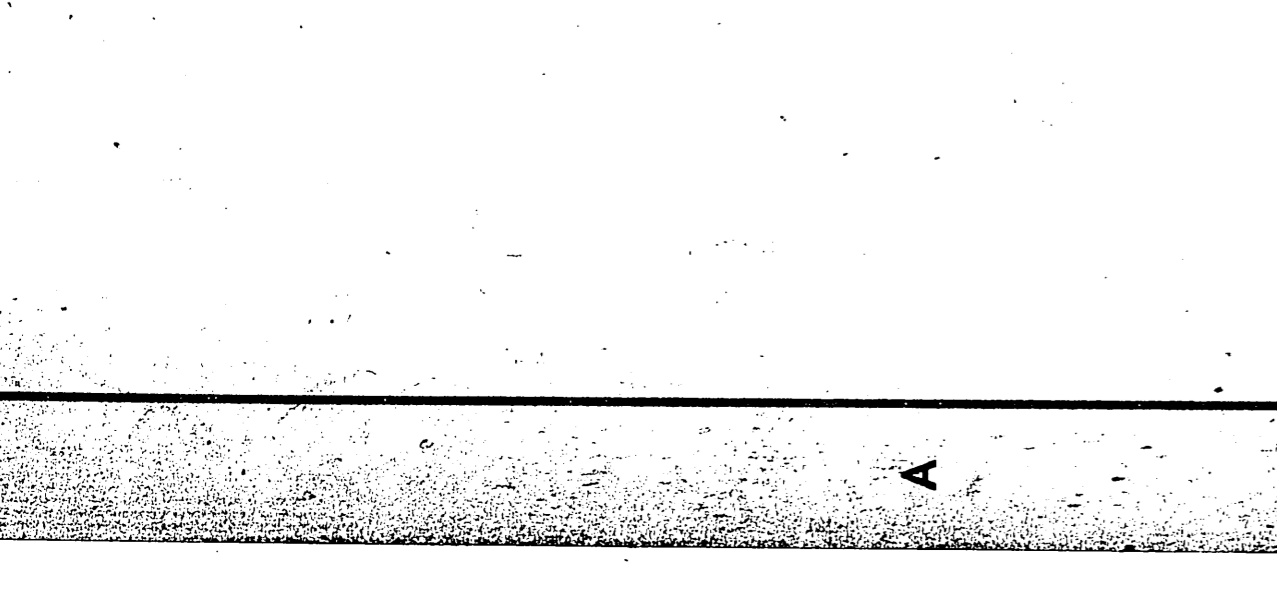
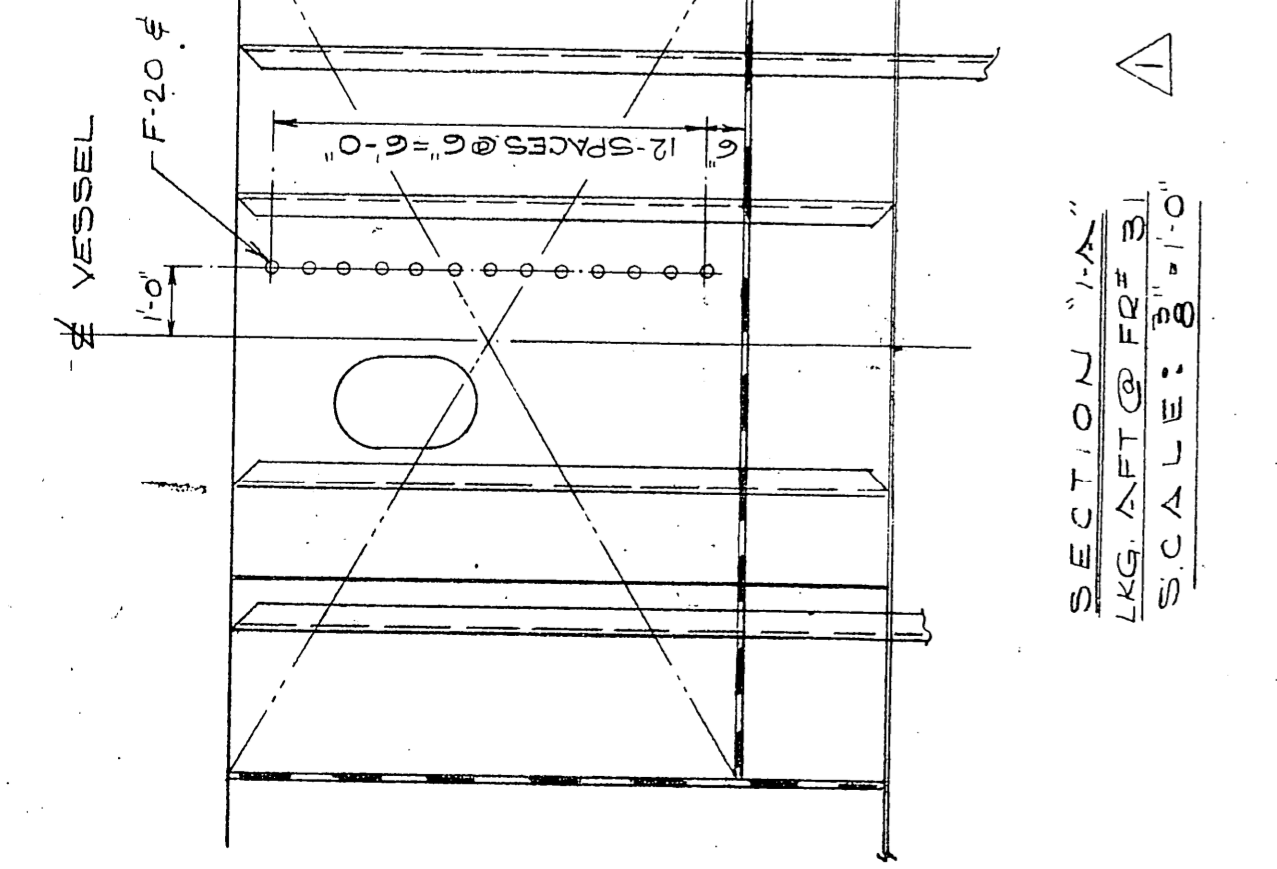
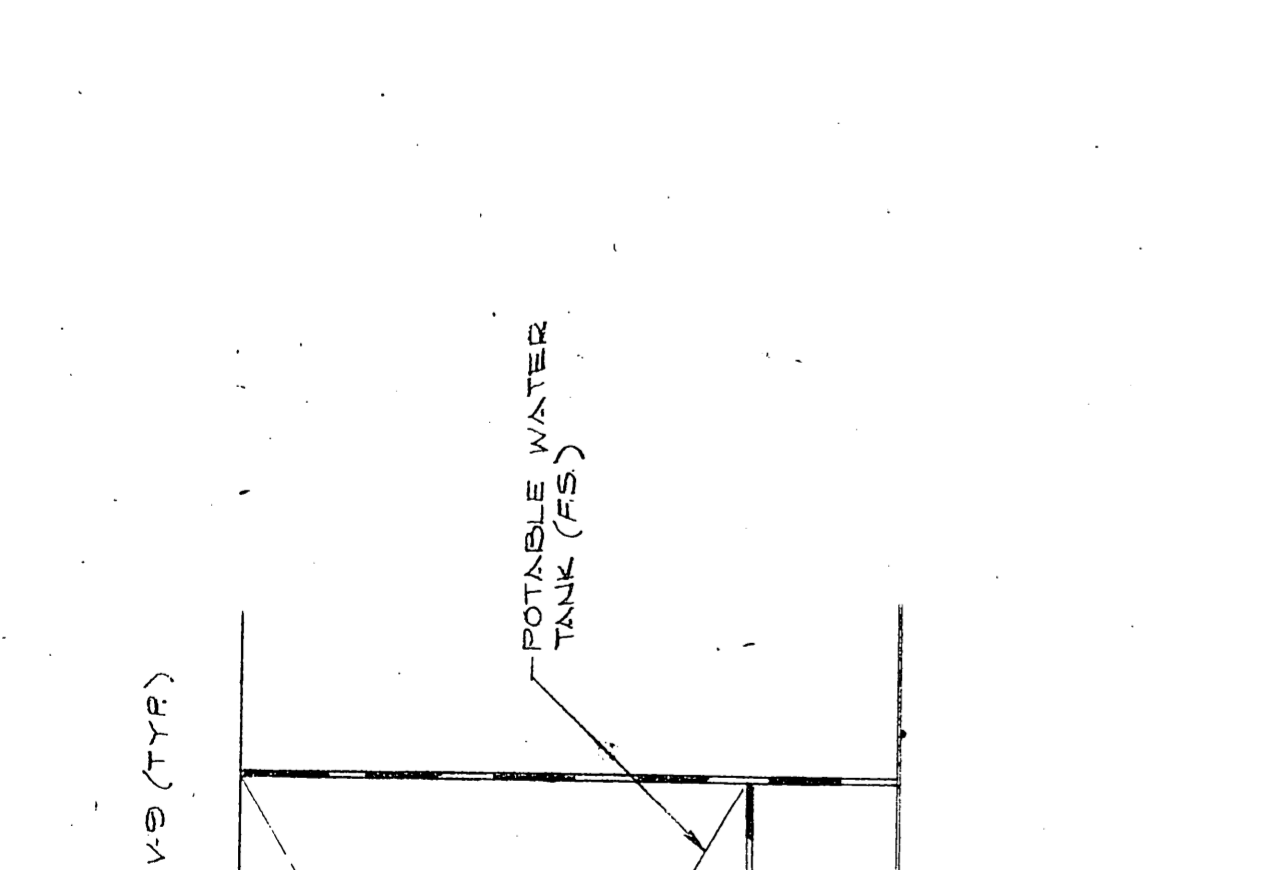
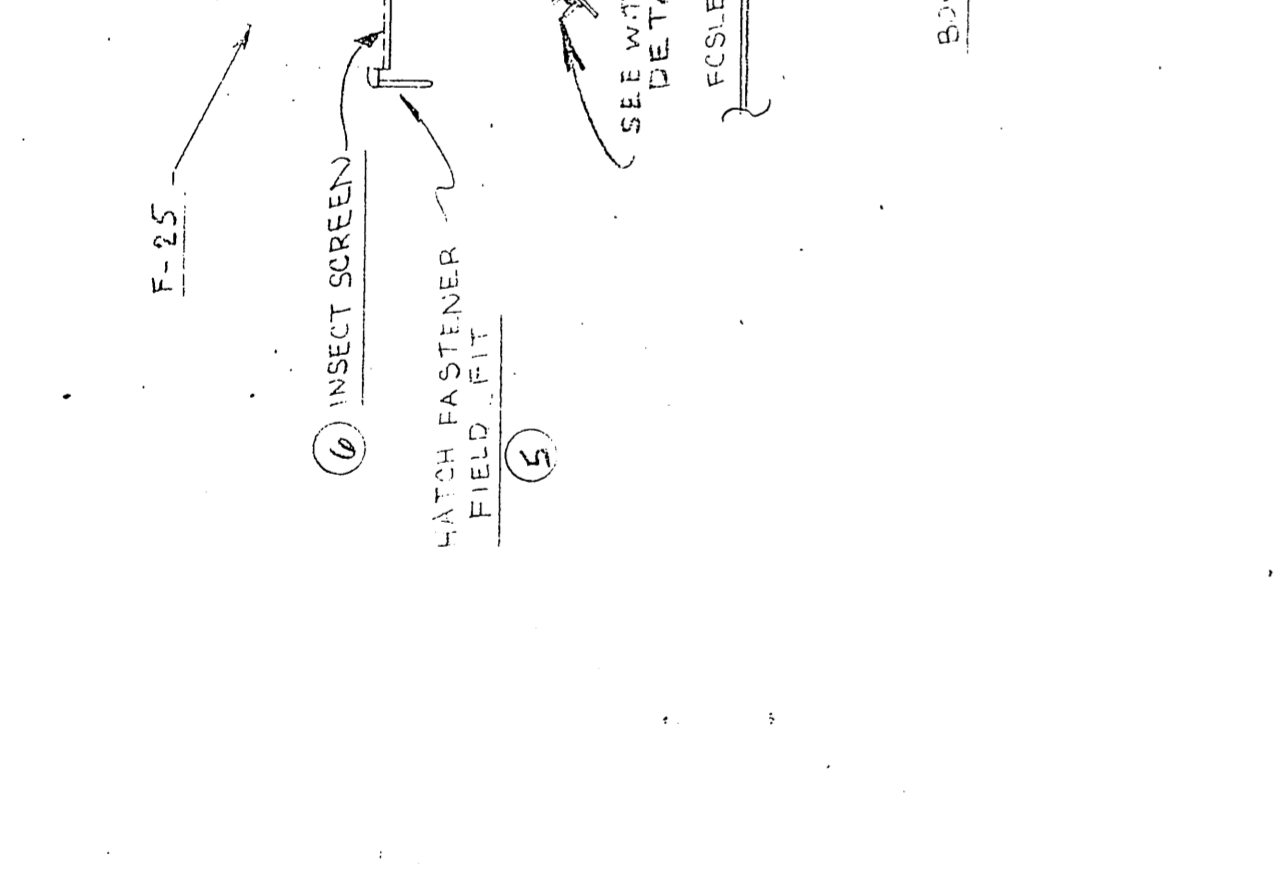
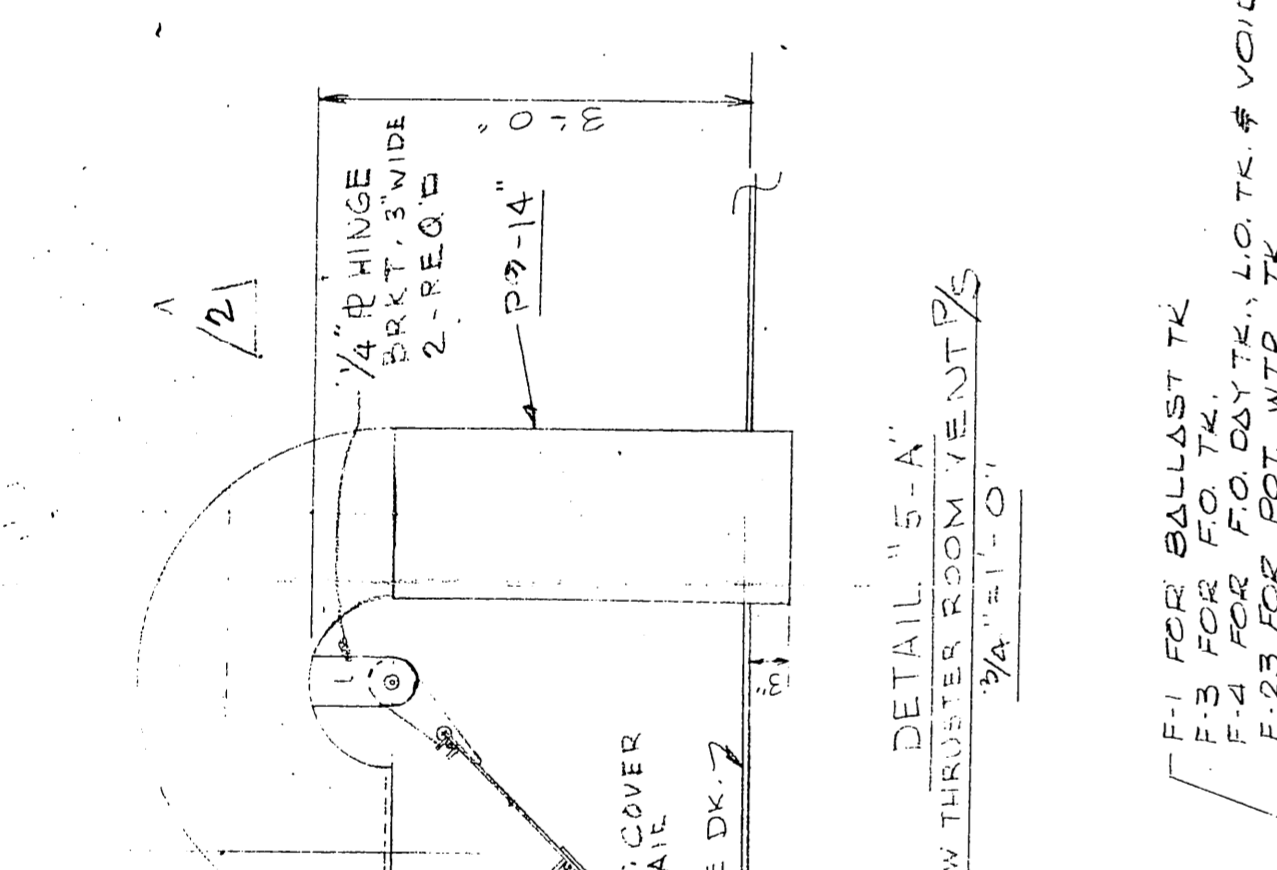
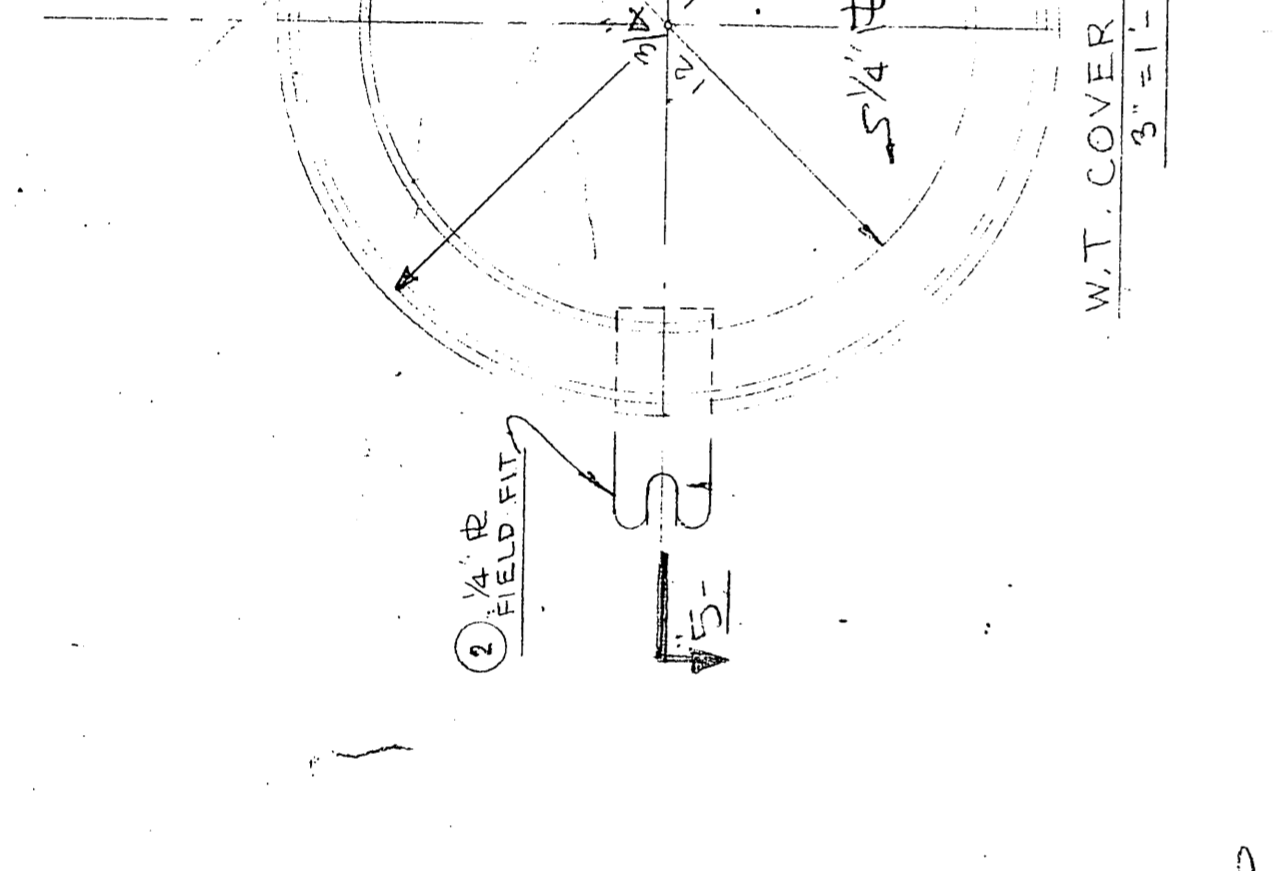
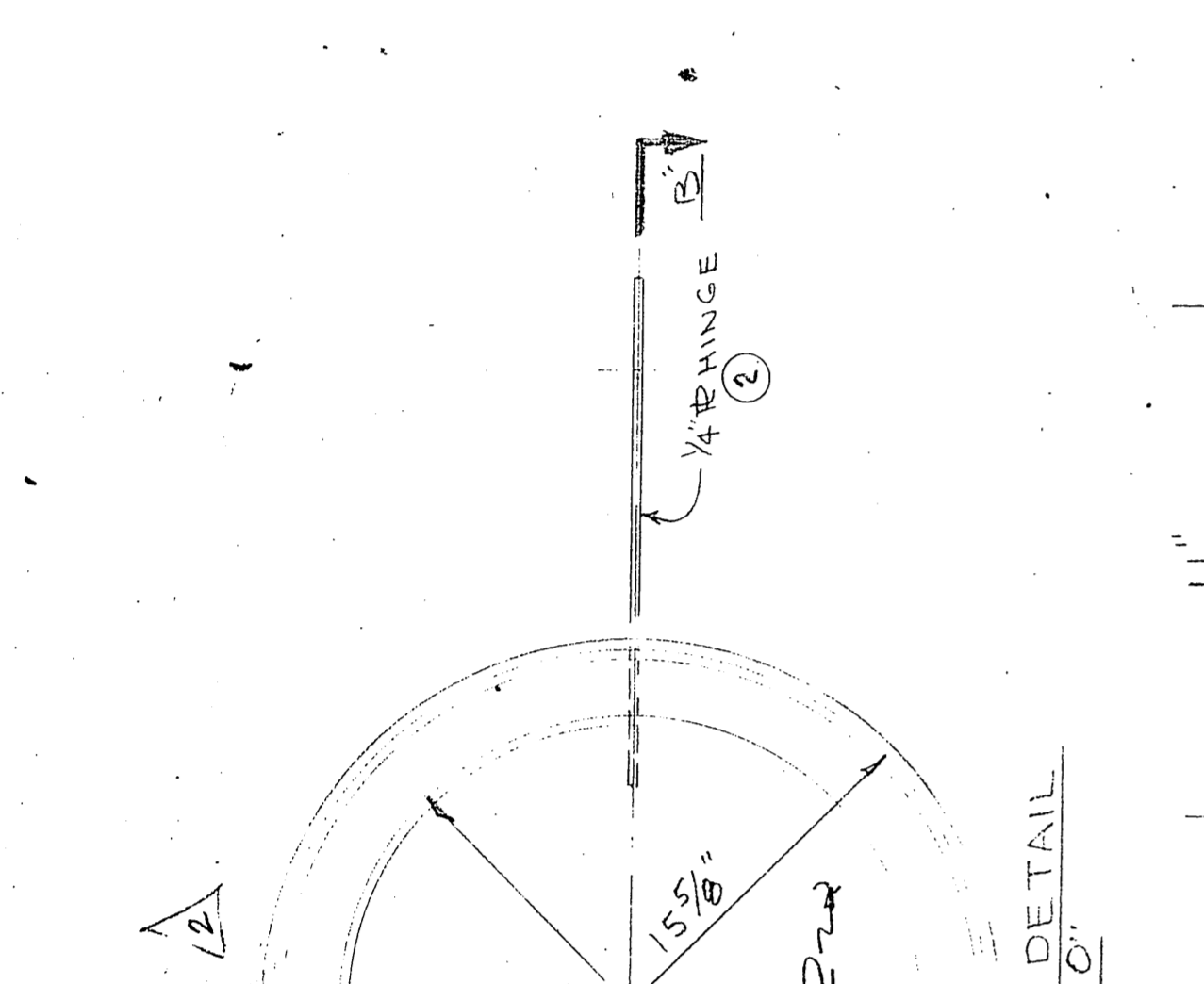


BILL OF MATERIAL

PC NO.	QTY.	SIZE	DESCRIPTION	COST ITEM	PO. NO.	NEEDS	DATE
F21	2	1/2"	PIPE CAP 150# SCRD M.I. GALV. ASTM A-47	340			
F7	10	2"	PIPE SCH 40 SMLS BUK ASTM A-53 GR B				
F22	2	2"	PIPE CAP 150# SCRD M.I. SLL ASTM A-47				
F23	2	2 1/2"	BOV RETURN SCH 40 SMLS GALV. ASTM A-234				
F24	2	4"	GALV. BOLLARD ASTM A-53 GR B	340			
F8	160	4"	PIPE SCH 40 GALV. SMLS ASTM A-53 GR B	340			
F9	7	1 1/4"	PIPE PLK. SMLS STD. ASTM A-53 GR B				
F-25	2	1 1/4"	BOV RETURN SMLS WEIGHT SAC. SMLS SLL. ASTM A-234				
	2	5/8" FT	R MILD STL.				
	3	68"	RUBBER GASKET				
	4	1	HEX HD BOLT & NUT				
	5	1	HATCH FASTENER PERKINS FIG. 7-29				
	6	2	INSECT SCREEN				
	7	1/4"	R. MILD STL.				



REV.	DATE	DESCRIPTION	BY	CHKD.
1	5/23/73	ADDED SECT. 1-A AND ADDED SEWAGE HOLDING TK. SOUNDINGS TUBE		
2	8/15/73	REVISED FOR 1-A, 1-B, 1-C, 1-D, 1-E, 1-F, 1-G, 1-H, 1-I, 1-J, 1-K, 1-L, 1-M, 1-N, 1-O, 1-P, 1-Q, 1-R, 1-S, 1-T, 1-U, 1-V, 1-W, 1-X, 1-Y, 1-Z		

APPROVALS
 USCGC
 ABS
 FCC

U.S. NAVAL SHIP SYSTEMS COMMAND
 WASHINGTON D.C. 20380

OCEANOGRAPHIC RESEARCH SHIP
 AGOR (UTILITY CLASS)

HALTER MARINE SERVICES, INC.
 P.O. BOX 29266 NEW ORLEANS, LA. 70129

SCALE: AS SHOWN
 DATE: DEC. 72
 DWG. NO.: 02
 DRAWN BY: R. J. HALL
 CHECKED BY: J. W. HALL
 HALTER: J. W. HALL
 HULL NO.: 515
 JOB NO.: 1218
 NAVSHIPS NO.: 90911-508
 REV. 2-2